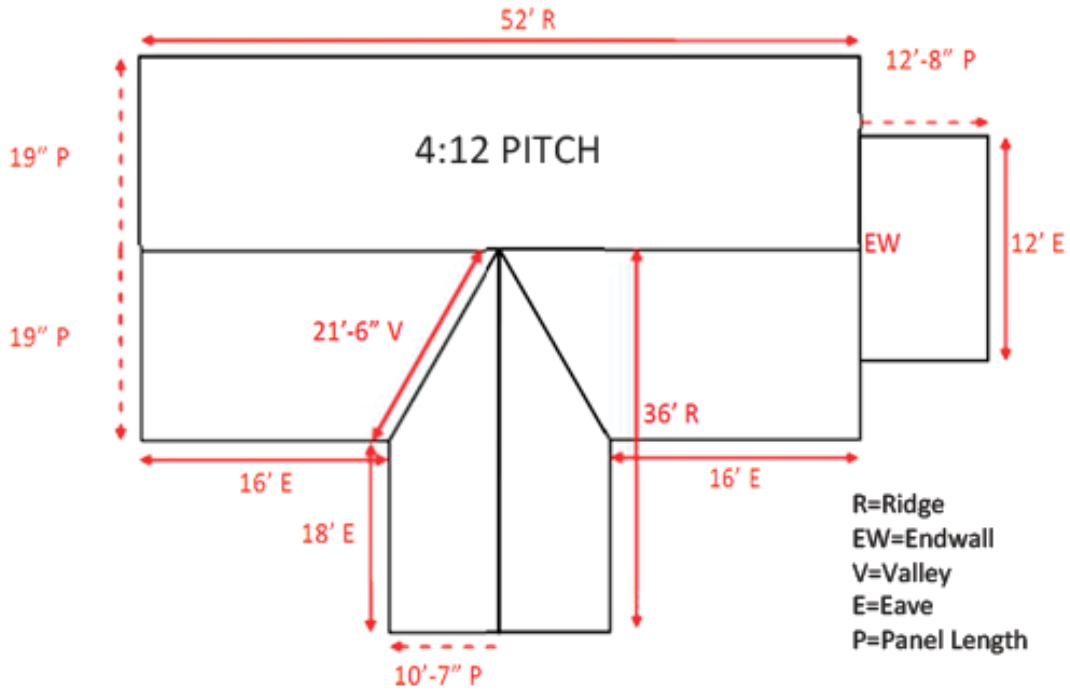


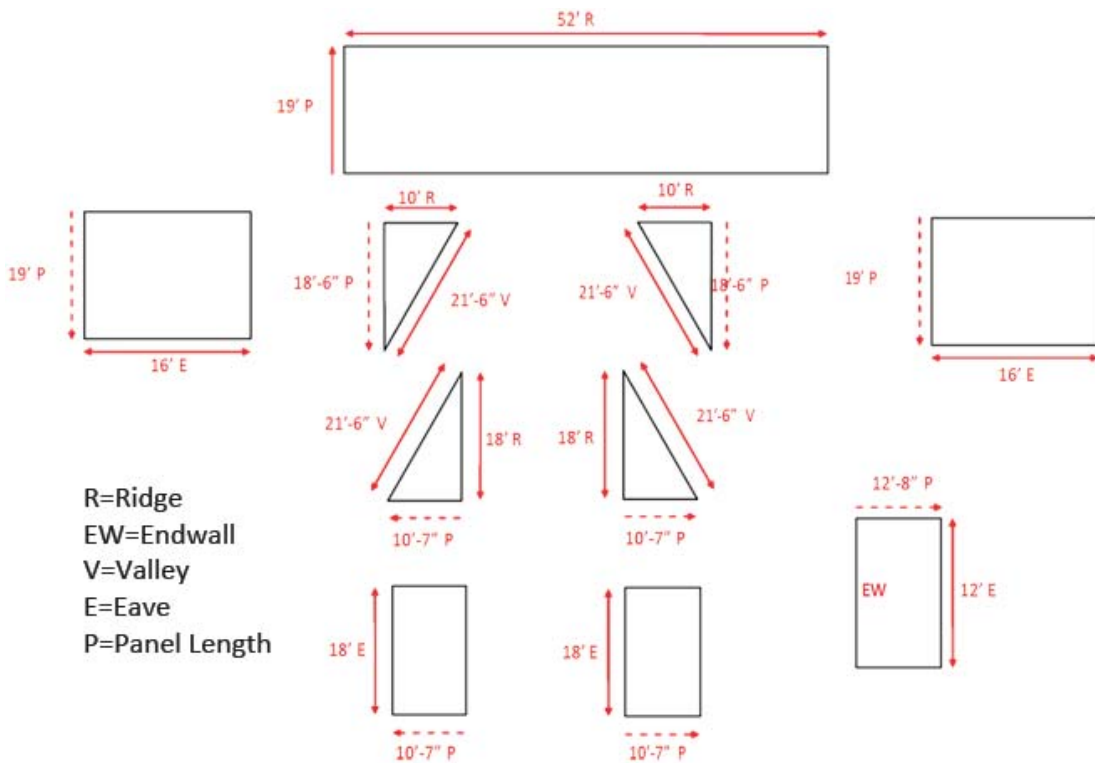
QUOTE REQUEST

METAL SHINGLE, TILE, SHAKE

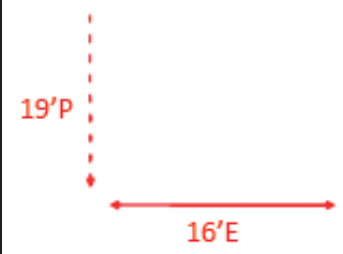
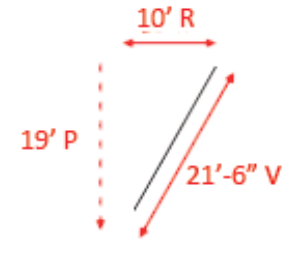
1. Make a sketch of your roof, complete with the roof measurements (see example below).



2. Break into rectangles and triangles (see example below).



SHINGLES, TILES OR SHAKE

<p>Rectangles:</p> <p>Multiply the length by the height to find the square footage of each rectangle.</p>		<p>Triangles:</p> <p>Multiply the length by the height, then divide by 2 to find the square footage of each triangular section</p>	
--	---	---	---

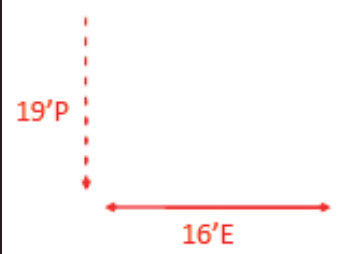
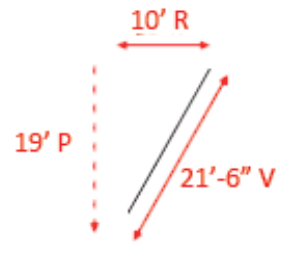
Add the square footage for all sections and add them together. Add approximately 10% for waste.

TRIM

<p>Add up the total footage of each type of trim: ridge, gable, eave, valley, transition, endwall, sidewall, etc and put like this:</p>	<p>Ridge - 88 feet Gable - 124 feet Eave - 132 feet Valley - 44 feet Endwall - 12 feet</p>
---	--

It is recommended that you add about 10% to each trim quantity for waste, trim laps, etc.

PANELS

<p>Rectangles:</p> <p>Divide the width of each section by the width of the panel you are using to get the number of panels. specify the panel lengths, to the half-inch.</p> <p>In this example, for a 3' wide panel you would need 6 pieces at 18'-6" long for the section.</p>		<p>Triangles:</p> <p>Measure each panel getting shorter every X length across (replace X with the width of your panel). There will be one panel of each length for each triangle.</p> <p>If you don't mind a little waste, divide the width (10' in this case_ by the width of the panel you are using to get the number of panels. The length is as needed.</p> <p>For the above example, for a 3' wide panel you would need 4 pieces at 18'-6" long for this section.</p>	
---	--	--	--

Make a list showing the quantity needed for each length. We recommend that you add 2 panels to the longest length.

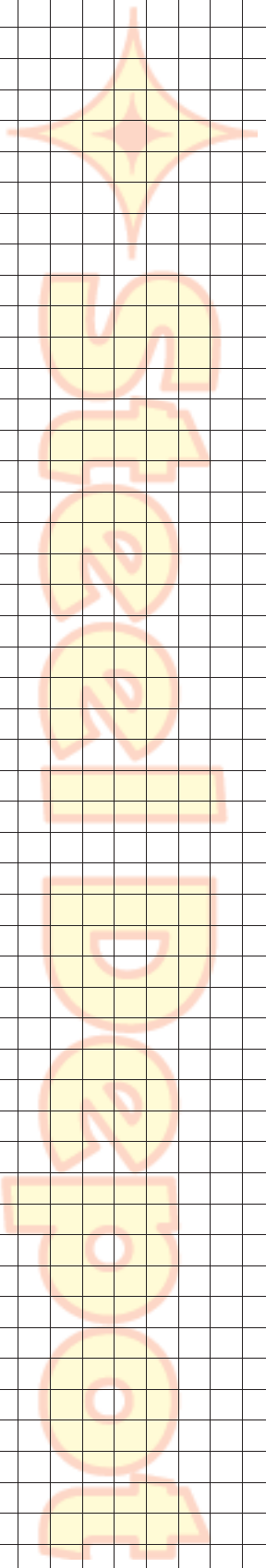
TRIM

<p>Add up the total footage of each type of trim: ridge, gable, eave, valley, transition, endwall, sidewall, etc and put like this:</p>	<p>Ridge - 88 feet Gable - 124 feet Eave - 132 feet Valley - 44 feet Endwall - 12 feet</p>
---	--

It is recommended that you add about 10% to each trim quantity for waste, trim laps, etc.

SKETCH YOUR ROOF

1 Square=1 Foot



We'll help you build it better!

DETAILS AND CONTACT INFORMATION

NAME:		DATE:	
PHONE:		Important Additional Information: (If you know the pitch(es) of your roof, please include).	
CELL: (optional)			
FAX: (optional)			
E-MAIL:			
SHIPPING ADDRESS:			
PRODUCT(S) If applicable also include gauge and wheter you would like it painted or bare mill finish)			
CIRCLE ONE:	Vented Ridge Non-Vented Ridge Figure both as options		
CIRCLE ONE:	Include Synthetic Underlayment as an option Don't include Underlayment		
CIRCLE ONE:	Include Ice & Water Shield at Eaves, Valleys, and Dormers as an option. Don't include Ice and Water Shield.		

Fax forms and sketch to your nearest location:

Artesia, New Mexico: (575) 746-9299
 Carlsbad, New Mexico: (575) 887-9998
 Hobbs, New Mexico: (575) 393-9393
 Lubbock, Texas (806) 744-0112
 Roswell, New Mexico (575) 623-5554

